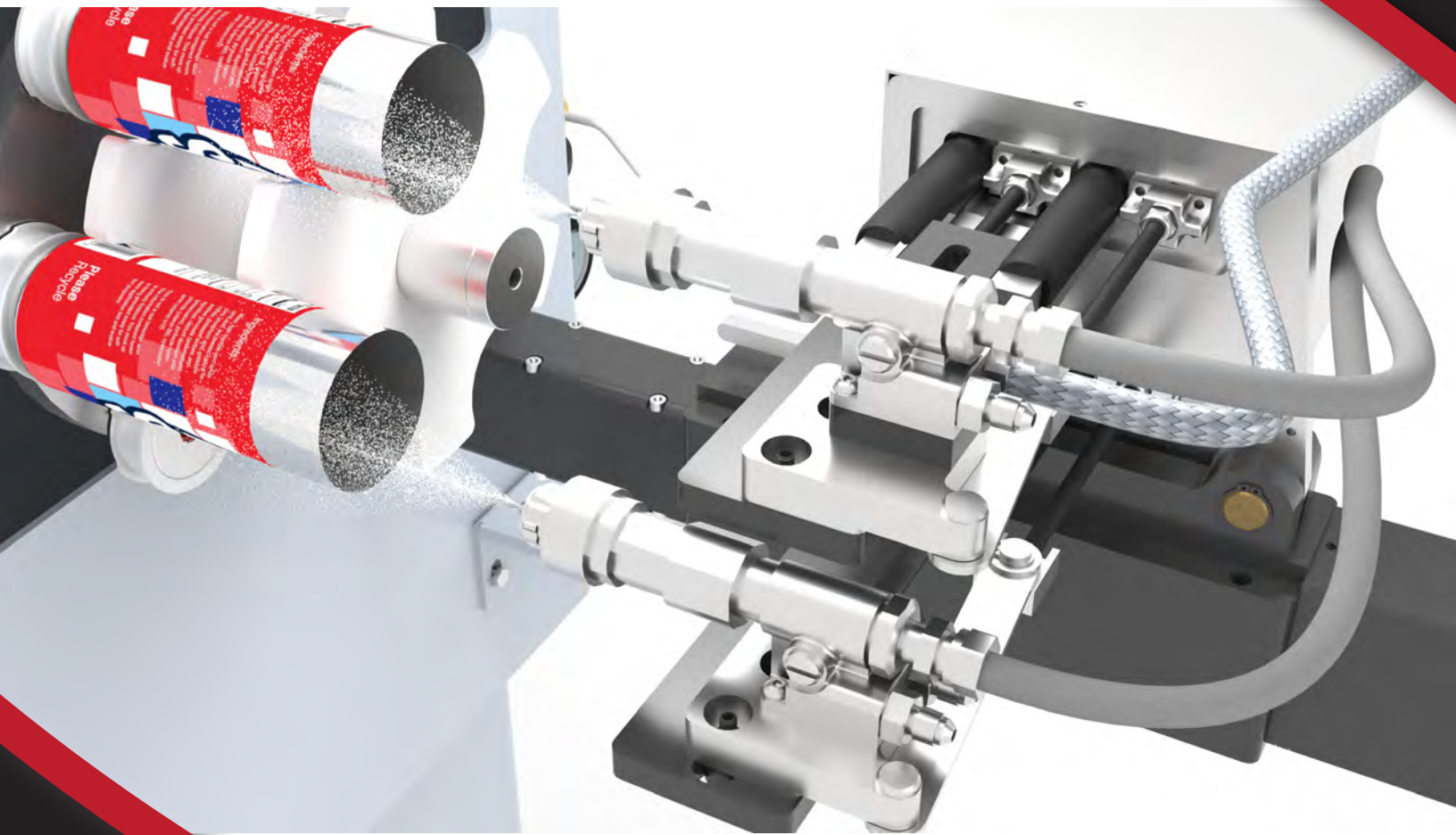


GunMOUNT PROTM

Automated IC Spray Gun Positioning



SCAN for more info



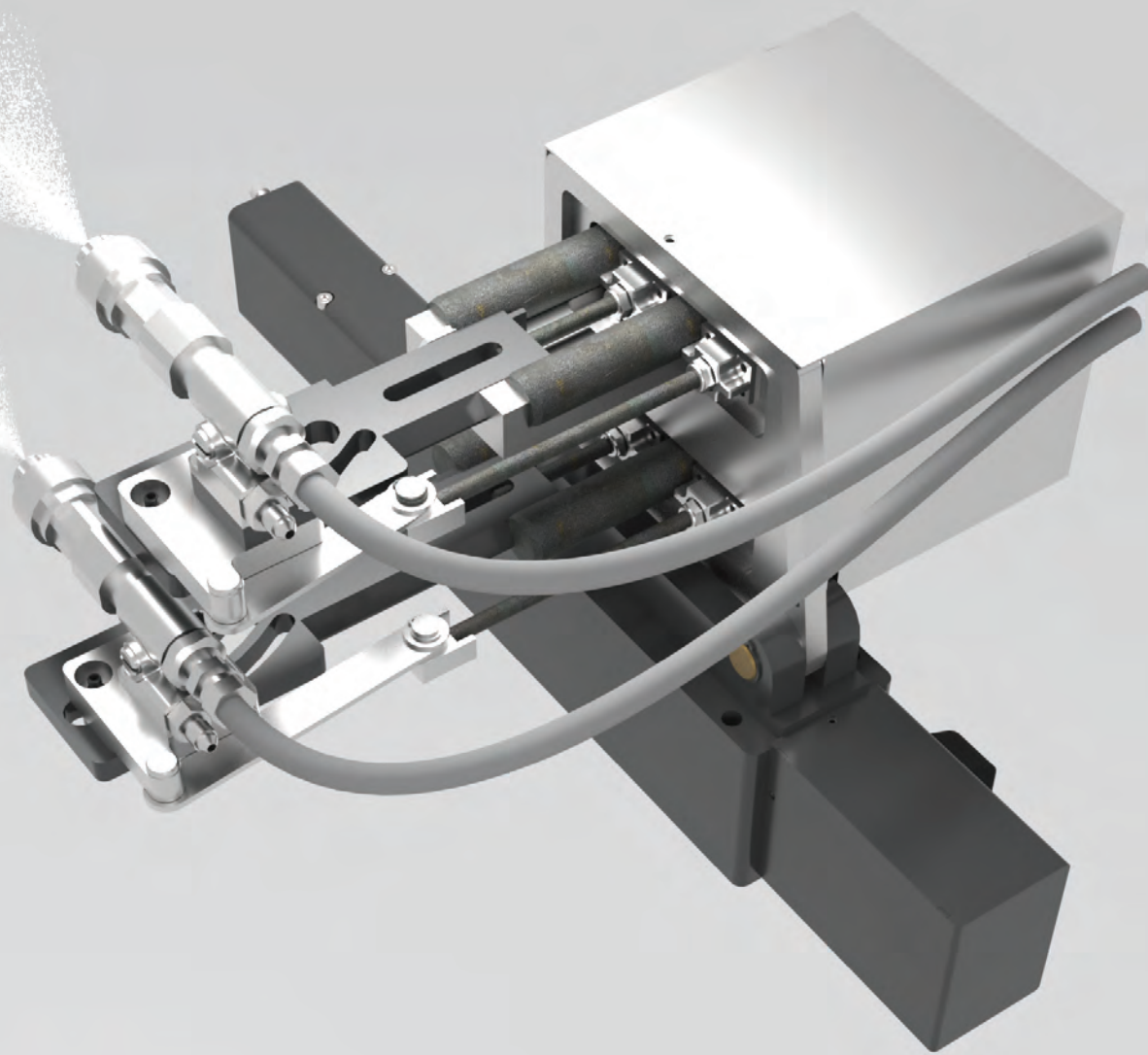
**INTEGRATED PACKAGING
SOLUTIONS**

www.intpacsol.com

Integrated Packaging Solutions
15680 West 6th Ave Frontage Rd
Golden, CO 80401
USA



SCAN for video demonstration



GunMOUNT PROTM

(Patent Pending)

Availability:

- Featured on IPS CanSPRAYTM IC Spray Machine
- Available as retrofit on most standard IC Spray Machines

Key Features & Benefits:

- Servo controlled gun positioning
- Ability to store multiple position profiles for different can sizes

Integrated Packaging Solutions
15680 West 6th Ave Frontage Rd
Golden, CO 80401
USA

All products developed and designed by Integrated Packaging Solutions, LLC (IPS) and or its affiliates are protected under certain regional and international intellectual property guidelines. IPS reserves the right to protect against any and all infractions to these protections according to local, national and international governing laws as specified in the location of said infraction.

sales-service@intpacsol.com

+1 (303) 426-4881

www.intpacsol.com