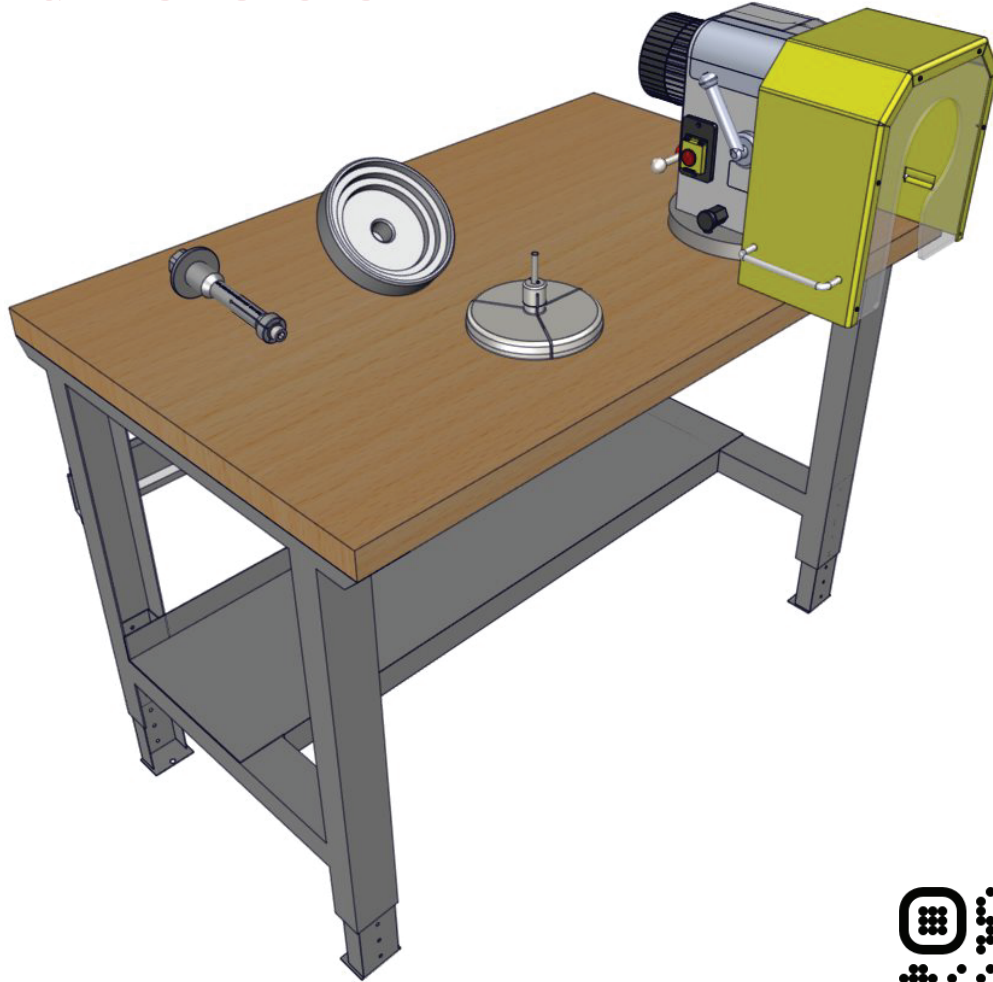


# Too/POLISH™

Punch and Die Polisher

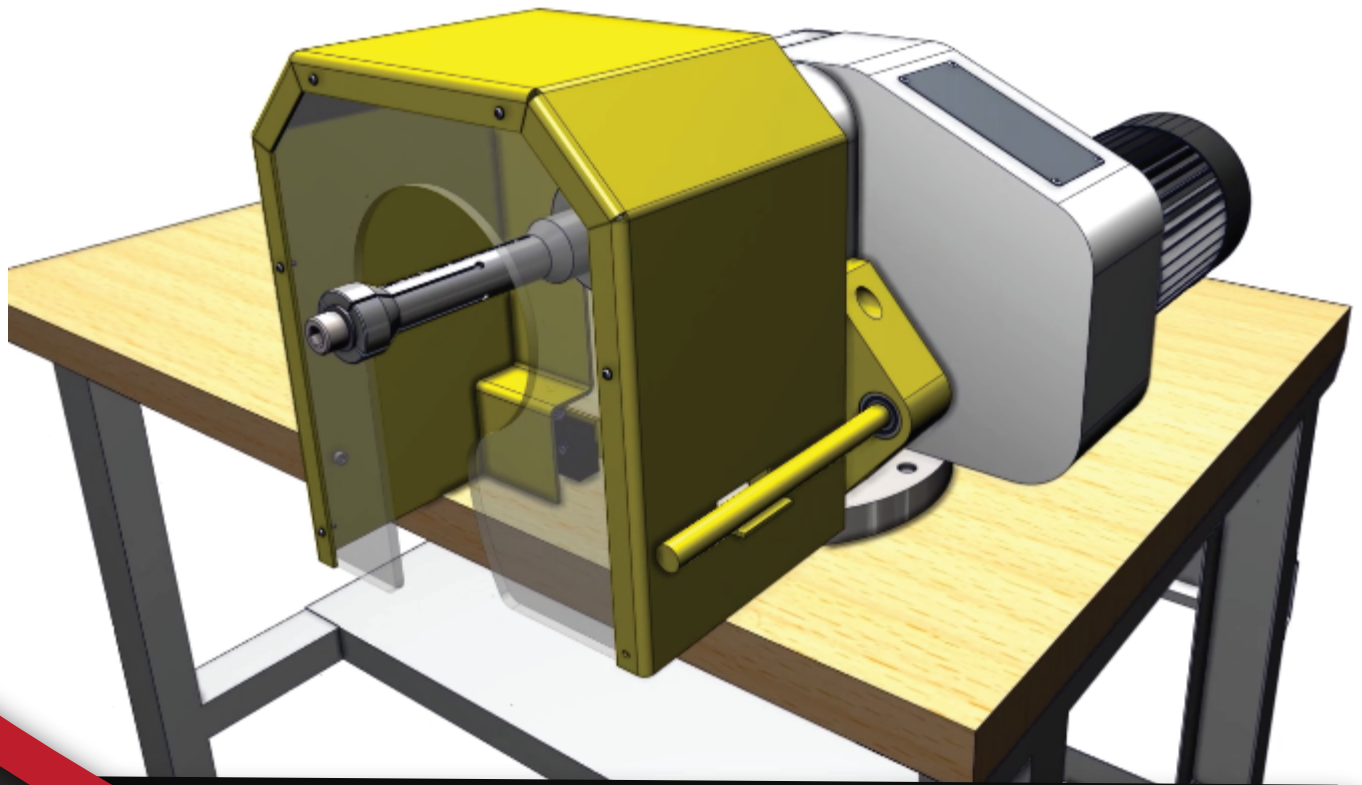


SCAN for more info



**INTEGRATED PACKAGING  
SOLUTIONS**  
[www.intpacsol.com](http://www.intpacsol.com)

Integrated Packaging Solutions  
15680 West 6th Ave Frontage Rd  
Golden, CO 80401  
USA



# Too/POLISH™



## Features:

- New guard design (available as retrofit)
- Mounting for both punches & dies (With option necker die fixtures)
- Adjustable speeds (500-1,200 RPM)
- Heavy-duty lathe head

## Benefits:

- SafeCHUCK punch & die mounting system provides safe & snag-free set up
- Quick tool changeover system means less downtime to polish all your tooling
- Heavy duty lathe motor yields consistent repeatability
- Rotating & locking lathe head

Intergrated Packaging Solutions  
15680 West 6th Ave Frontage Rd  
Golden, CO 80401  
USA

All products developed and designed by Integrated Packaging Solutions, LLC (IPS) and or its affiliates are protected under certain regional and international intellectual property guidelines. IPS reserves the right to protect against any and all infractions to these protections according to local, national and international governing laws as specified in the location of said infraction.

[sales-service@intpacsol.com](mailto:sales-service@intpacsol.com)

+1 (303) 426-4881

[www.intpacsol.com](http://www.intpacsol.com)